

PureWaterCooler™

by VERTEX

Convenient Cook & Cold Water Dispenser

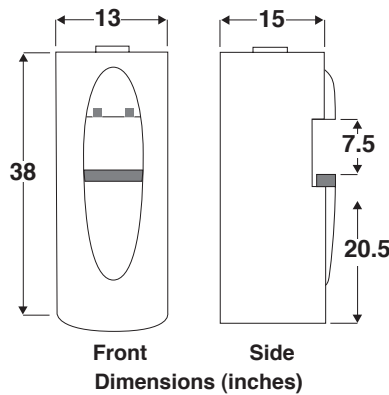
Economic Room & Cold water cooler with filtration system makes safe, great tasting water from your tap. No hassling with 5-gallon bottles. Great for anywhere hot water safety/liability is a concern.

Features

- Two temperature system
 - Cold: 37-50° F, Adjustable
 - LED indicator for hot or cold water on the front panel
- Individual on/off control switches for cold or hot water on rear panel
- Completely sealed stainless steel cold reservoir and hot tank
- Convenient, enclosed, no-drip dispensing faucets
- Built-in filtration system is easily accessed for replacement
 - Available with Reverse Osmosis filtration system
 - Or Standard Dual-Cartridge filtration system
- Available with ultraviolet or ozone sterilizer



Filter assembly is front door accessible



PWC-1010

ORDERING

2-Temp Model - 50 GPD Reverse Osmosis	PWC-1000R
2-Temp Model - Standard Filtration	PWC-1000F
2-temp Model with UV sterilizer	add /UV
2-temp Model with Ozone sanitizer	add /OZ
2-temp Model w/ ProTekk Leak Detector	add /ldm
Optional stand, adds 6 inches to height	CS-8033
Cup holder	call factory
Replacement Filters	
Sediment	IFA-4035
GAC Carbon	IFA-4034
RO membrane, 50 GPD	MA-4203

Specifications

Weight: 58 lb.
 Dimension: 13"W x 15"D x 38"H
 Cold tank volume 1 gal
 Room tank volume .5 gal
 Cooling Rate: 1.5 gal/hr 37-50 °F
 Voltage: 115 VAC
 Power Required: 100w max

All water-bearing materials in this water cooler comply with the Safe Water Drinking Act amendment of 1996, and are in compliance with NSF standard 61, section 9.

Filter System

Standard Filter **1010F**
Stage 1: 5 micron Sediment
Stage 2: 10 micron Activated Carbon

Reverse Osmosis Filter **1010R**
 Above 2 stages plus
Stage 3: 50-GPD RO Membrane

Automatic tank full control
 Fully assembled
 - connection hardware included

Meets Energy Star Requirements
 ADA compliant



Authorized Dealer